

FUSE STRIP with housing

Rated 36 V

RoHS



Description

These special purpose fuse strips with housings protect wires rated to carry current up to 36 V in diesel vehicles. Do not install the high current automotive fuse strips in EVs or gasoline-fueled vehicles.

Features & Benefits

- Fast-acting
- Available with ratings of 30 A to 150 A
- Interrupting ratings of up to 350 A at 36 VDC
- Zinc alloy fuse strip
- Metal parts comply with DIN 72581-2
- Ceramic insulating bodies
- Operate at up to 125 °C
- Certified lead-free and RoHS compliant
- Windows in housing show if fuse elements remain intact
- 90° lugs ensure secure mounting

Applications

- Diesel vehicles

Ordering Information

Part Number	Package Size
156.5611.xxx1	50

FUSE STRIP with housing

Rated 36 V

Ratings

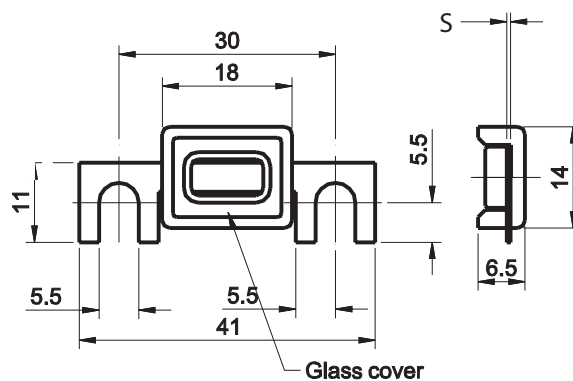
Part Number	Current Rating (A)*	Typ. Voltage Drop (mV)	Material Thickness "S" (mm)
156.5611.5301	30	70	0.25
156.5611.5401	40	70	0.20
156.5611.5501	50	70	0.25
156.5611.5601	60	70	0.40
156.5611.5701	70	70	0.45
156.5611.5801	80	70	0.50
156.5611.6101	100	70	0.70
156.5611.6111	120	70	0.70
156.5611.6121	125	70	0.70
156.5611.6151	150	70	1.00

Corresponding holder see Section "Fuse Holders."

*Metal parts in compliance with DIN 72581/2. Fuses with housings not mentioned in the standards.

Dimensions

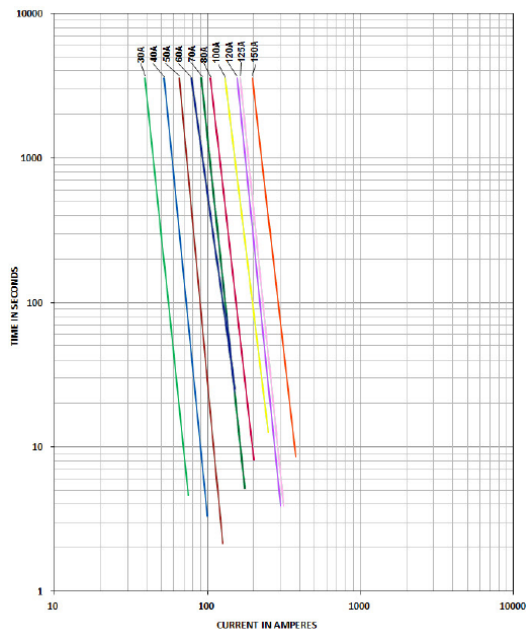
Dimensions in mm. Please refer to the outline drawing for dimensions and tolerances.



FUSE STRIP with housing

Rated 36 V

Time-Current Characteristic



FI = 1.00 (max. operating current : $1.0 \times I_{rat}$ at 23°C)

% of Rating	Opening Time Min / Max (s)
130	3 600 / -
250	- / 60